

SINGER
9022/9420/9423/9432

LIST OF PARTS

Sewing Machine Models

9022

9420

9423

9432

by **SINGER***



A Publication of Product Support
International Group Engineering

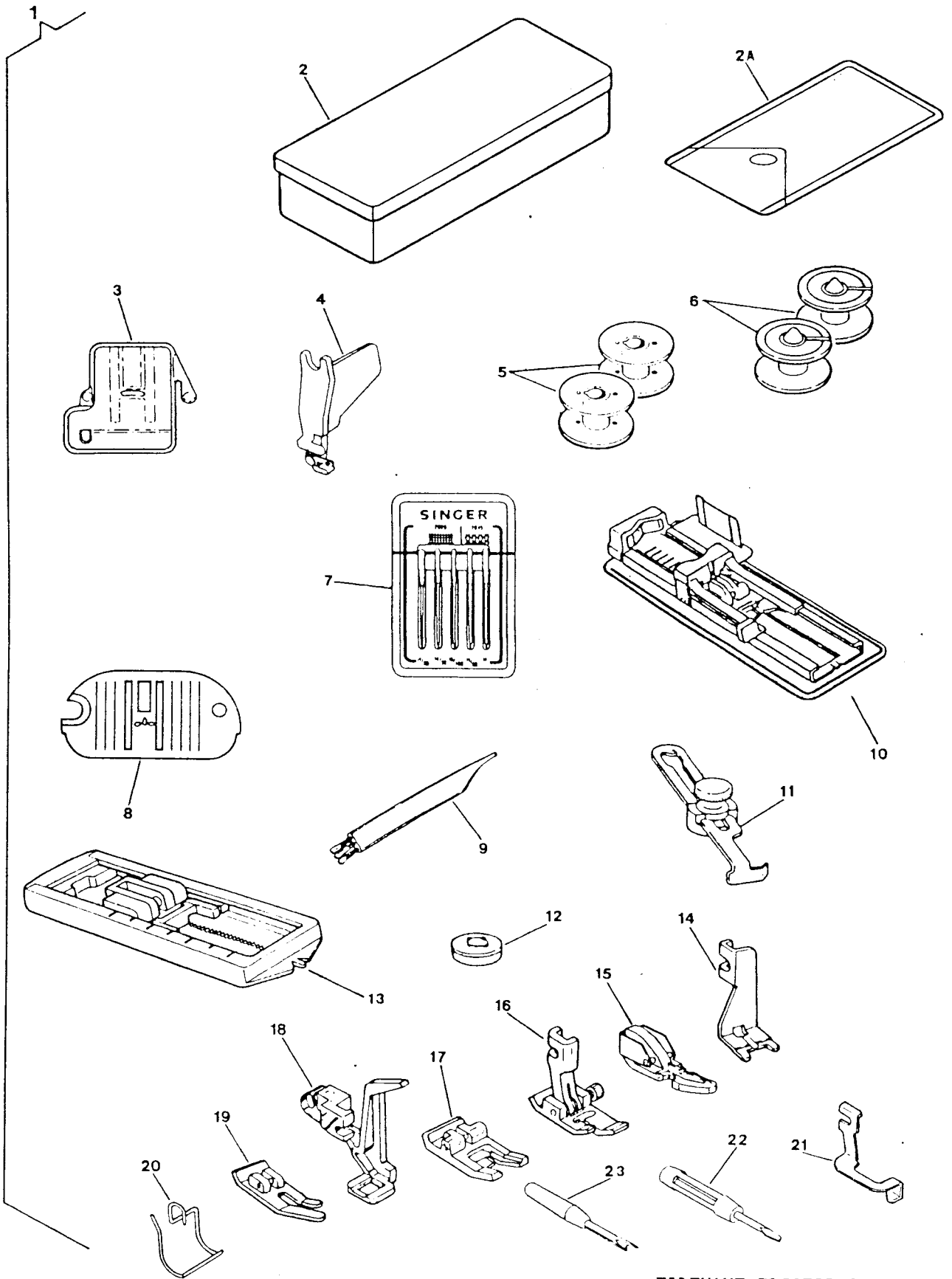
Printed in Taiwan

INDEX

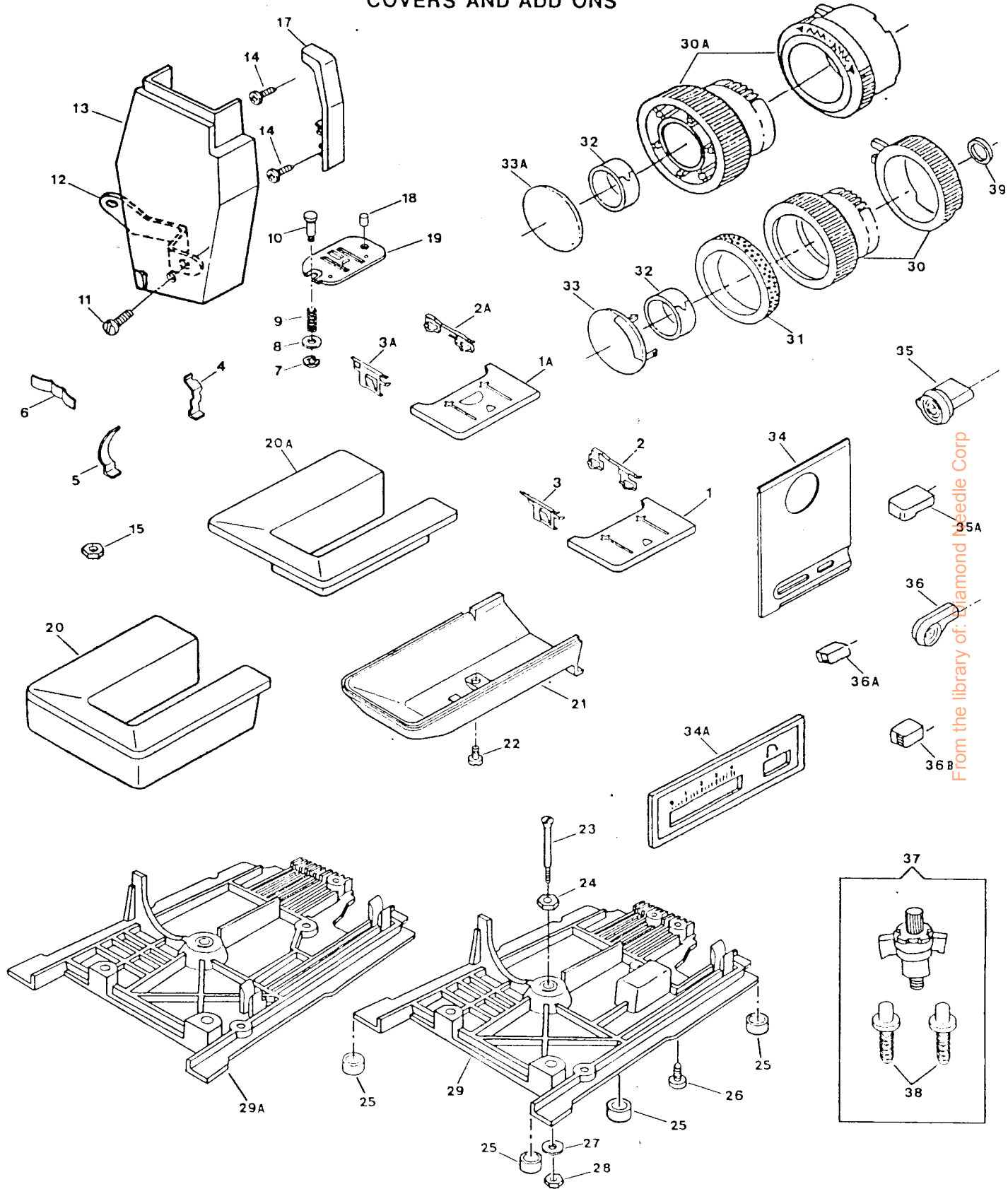
PAGE NO.	SUBASSEMBLY
1, 2	ATTACHMENT SET
3, 4	COVERS AND ADD ONS
5, 8	ARM TOP COVER
9, 10	ARM SHAFT DRIVE SYSTEM
11, 12	HAND WHEEL
13, 14	COAXIAL PRESSER BAR SYSTEM
15, 16	NEEDLE BAR & THREAD TAKE-UP
17, 20	ALPHA FEED
21, 22	HOOK SYSTEM (APOLLO)
23, 24	HOOK AND BOBBIN WINDING SYSTEM (CENTAUR)
25, 30	PATTERN, STITCH LENGTH CONTROL & CAM CONTROLLED FEED
31, 32	DEMAND RESPONSIVE NEEDLE TENSION SYSTEM
33, 38	ELECTRICAL EQUIPMENT

ATTACHMENT SET
 MODEL:9022,9420,9423,9432

REF. PART NO.	PART NO.	DESCRIPTION	9	9	9	9
			0	4	4	4
			2	2	2	3
			2	0	3	2
1	313030-007	ATTACHMENT COMPLETE	X	X	X	X
2A	317396	ACCESSARY BAG	X	X	X	X
5	172336	BOBBIN (APOLLO)	X	X	X	X
7	353364	NEEDLE PACK (ALT:384064)	X	X	X	X
9	546358	LINT BRUSH	X	X	X	X
13	313992-451	PRESSER FOOT PLATE (4-STEPS) FOR SEWING BUTTONHOLES	X	X	X	X
15	171480	PRESSER FOOT PLATE (SNAP-ON) FOR CORDING AND SLIDE FASTENERS COMPLETE	X	X	X	X
17	171463	SPECIAL PURPOSE PRESSER FOOT PLATE (SNAP-ON)	X	X	X	X
20	421588	FINGER GUARD	X	X	X	X
21	171110	BLINDSTITCH GUIDE	X	X	X	X



From the library of: Diamond Needle Corp



From the library of: **Diamond Needle Corp**

COVERS AND ADD ONS
MODEL:9022,9420,9423,9432

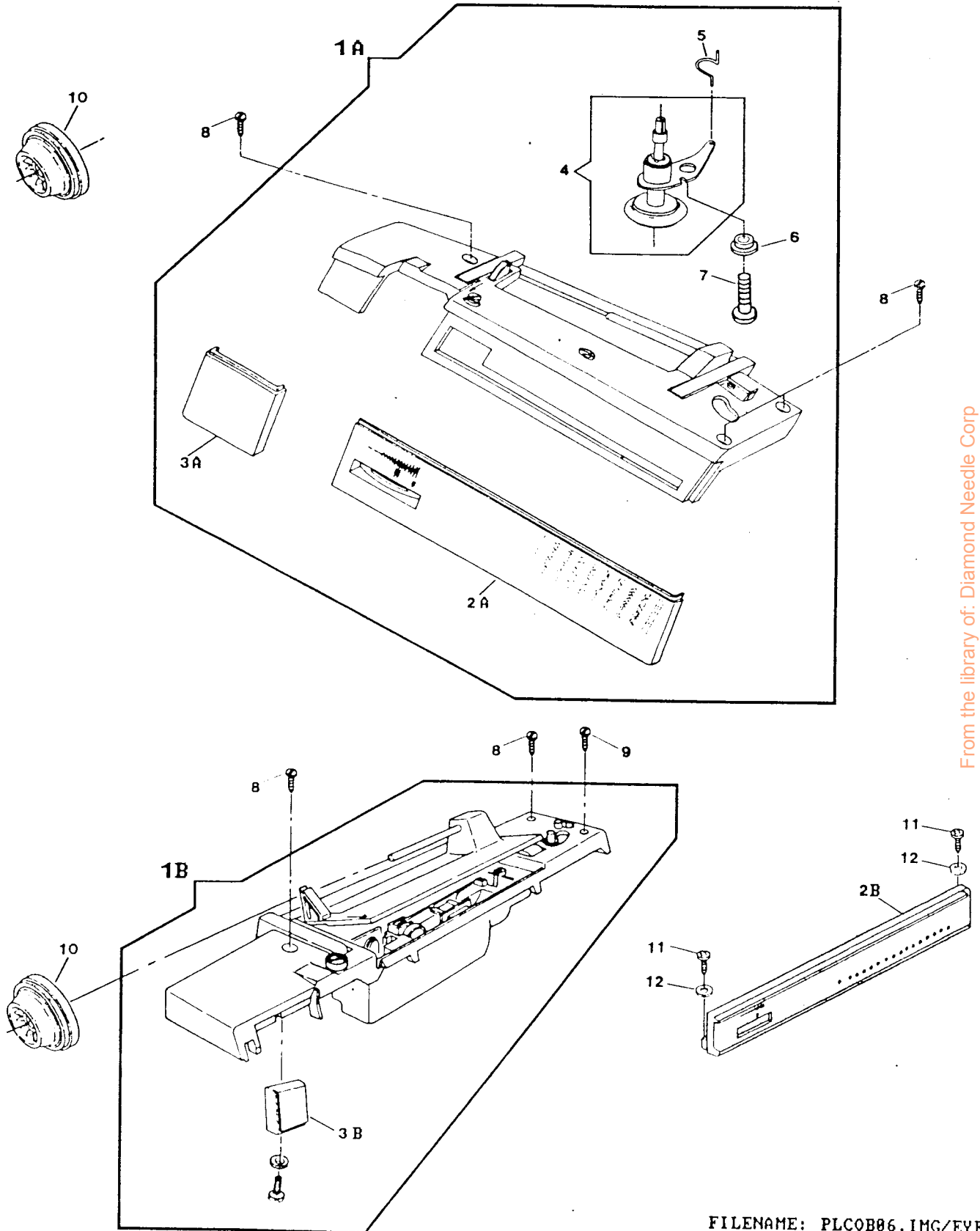
REF. PART NO.	PART NO.	DESCRIPTION	9	9	9	9
			0	4	4	4
			2	2	2	3
			2	0	3	2
1	314666	BED SLIDE ASSEMBLY COMPLETE (APOLLO)	X	X	X	X
2	314669	BED SLIDE SPRING (RIGHT)	X	X	X	X
3	314670	BED SLIDE SPRING (LEFT)	X	X	X	X
4	313178	BED SLIDE STOP	X	X	X	X
5	313179	BED SLIDE STOP SPRING	X	X	X	X
6	313118	CLOTH PLATE SPRING	X	X	X	X
7	313098	THROAT PLATE PLUNGER RETAINING RING	X	X	X	X
8	549426-451	THROAT PLATE PLUNGER WASHER	X	X	X	X
9	312805	THROAT PLATE PLUNGER SPRING	X	X	X	X
10	312804	THROAT PLATE PLUNGER	X	X	X	X
11	113521-451	FACE PLATE MOUNTING SCREW	X	X	X	X
12	314263	FACE PLATE MOUNTING BRACKET	X	X	X	X
13	314259-004	FACE PLATE COMPLETE	X	X	X	X
14	113470-003	THREAD TAKE-UP COVER MOUNTING SCREW	X	X	X	X
15	313049	BED INSERT NUT	X	X	X	X
17	314718-455	THREAD TAKE-UP COVER	X	X	X	X
18	353624	THROAT PLATE LOCATING PIN	X	X	X	X
19	312777	THROAT PLATE FOR ZIG ZAG SEWING	X	X	X	X
20A	317379-900	CLOTH PLATE	X	X	X	X
21	312773-452	BED COVER (TUBULAR)	X	X	X	X
22	354633-452	BED COVER (TUBULAR) SCREW	X	X	X	X
23	313052-451	BOTTOM COVER MOUNTING BOLT	X	X	X	X
24	313173-451	BOTTOM COVER MOUNTING BOLT RETAINING NUT	X	X	X	X
25	313909-451	BED LEG CUSHION	X	X	X	X
26	113455-002	BED COVER PLATE (BOTTOM) SCREW	X	X	X	X
27	314712-451	BOTTOM COVER MOUNTING BOLT WASHER	X	X	X	X
28	313177-452	BOTTOM COVER MOUNTING BOLT MOUNTING NUT	X	X	X	X
29A	314774-001	BED COVER PLATE (BOTTOM)	X	X	X	X
30A	314239-461	PATTERN SELECTOR KNOB AND STITCH BALANCE KNOB KIT ASSEMBLY (FOR U.S.A.)	X	X	X	X
30A	314239-467	PATTERN SELECTOR KNOB AND STITCH BALANCE KNOB KIT ASSEMBLY (FOR EUROPE)	X	X	X	X
32	313535	PATTERN SELECTOR KNOB COMPRESSION RING	X	X	X	X
33A	314744-488	PATTERN SELECTOR KNOB TRIM PLATE				X
33A	314744-489	PATTERN SELECTOR KNOB TRIM PLATE (FOR U.S.A.)				X
33A	314744-490	PATTERN SELECTOR KNOB TRIM PLATE				X
33A	314744-492	PATTERN SELECTOR KNOB TRIM PLATE (FOR EUROPE)				X
33A	314744-493	PATTERN SELECTOR KNOB TRIM PLATE				X
34A	317009-006	STITCH LENGTH CONTROL PANEL WITH GRAPHICS (FOR EUROPE)	X			X
34A	317009-015	STITCH LENGTH CONTROL PANEL WITH GRAPHICS	X			X
34A	317009-016	STITCH LENGTH CONTROL PANEL WITH GRAPHICS (FOR U.S.A.)				X
35A	312657-460	REVERSE FEED CONTROL LEVER KNOB (FOR U.S.A.)				X
35A	312657-464	REVERSE FEED CONTROL LEVER KNOB (PLASTIC) (FOR EUROPE)	X			X
36A	314676-460	BIGHT AMPLITUDE CONTROL LEVER KNOB (FOR U.S.A.)				X
36A	314676-464	BIGHT AMPLITUDE CONTROL LEVER KNOB (PLASTIC) (FOR EUROPE)	X			X
36B	312664-460	STITCH LENGTH CONTROL LEVER KNOB (FOR U.S.A.)				X
36B	312664-465	STITCH LENGTH CONTROL LEVER KNOB (PLASTIC) (FOR EUROPE)	X			X
37	313180	MACHINE HOLD DOWN MOUNTING KIT	X	X	X	X
38	148869	MACHINE LOCATER PIN	X	X	X	X

ARM TOP COVER
MODEL:9022,9420,9423,9432

REF. NO.	PART NO.	DESCRIPTION	9	9	9	9
			0	4	4	4
			2	2	2	3
			2	0	3	2
1A	317027-015	ARM TOP COVER ASSEMBLY WITH HANDLE				
1A	317027-017	ARM TOP COVER COMPLETE WITH HANDLE				X
1A	317122-064	ARM TOP COVER ASSEMBLY WITH HANDLE	X			
1A	317122-065	ARM TOP COVER COMPLETE WITH HANDLE (FOR U.S.A.)		X		
1A	317122-074	ARM TOP COVER ASSEMBLY WITH HANDLE (TEMPO 80)			X	
2A	314640-929	CONTROL PANEL WITH GRAPHICS			X	
2A	314640-931	CONTROL PANEL WITH GRAPHICS (FOR U.S.A.)		X		
2A	314640-933	CONTROL PANEL WITH GRAPHICS (TEMPO 80)			X	
2A	317197-903	CONTROL PANEL WITH GRAPHICS			X	
2A	317197-904	CONTROL PANEL WITH GRAPHICS				X
3A	314703-929	CONTROL PANEL EXTENSION WITH GRAPHICS	X			
3A	314703-931	CONTROL PANEL EXTENSION WITH GRAPHICS (FOR U.S.A.)		X		
3A	314703-936	CONTROL PANEL EXTENSION WITH GRAPHICS (TEMPO 80)			X	X
3A	314703-955	CONTROL PANEL EXTENSION WITH GRAPHICS			X	
4	312901	BOBBIN WINDER ASSEMBLY	X			
5	312897	BOBBIN WINDER LEVER SPRING	X	X	X	X
6	312613	BOBBIN WINDER LEVER HINGE SCREW	X	X	X	X
7	113372-451	BOBBIN WINDER LEVER HINGE SCREW SHOULDER WASHER	X	X	X	X
8	354927-001	ARM TOP COVER MOUNTING SCREW	X	X	X	X
10	179967-456	SPOOL PIN THREAD LEAD-OFF	X	X	X	X

From the library of: Diamond Needle Corp

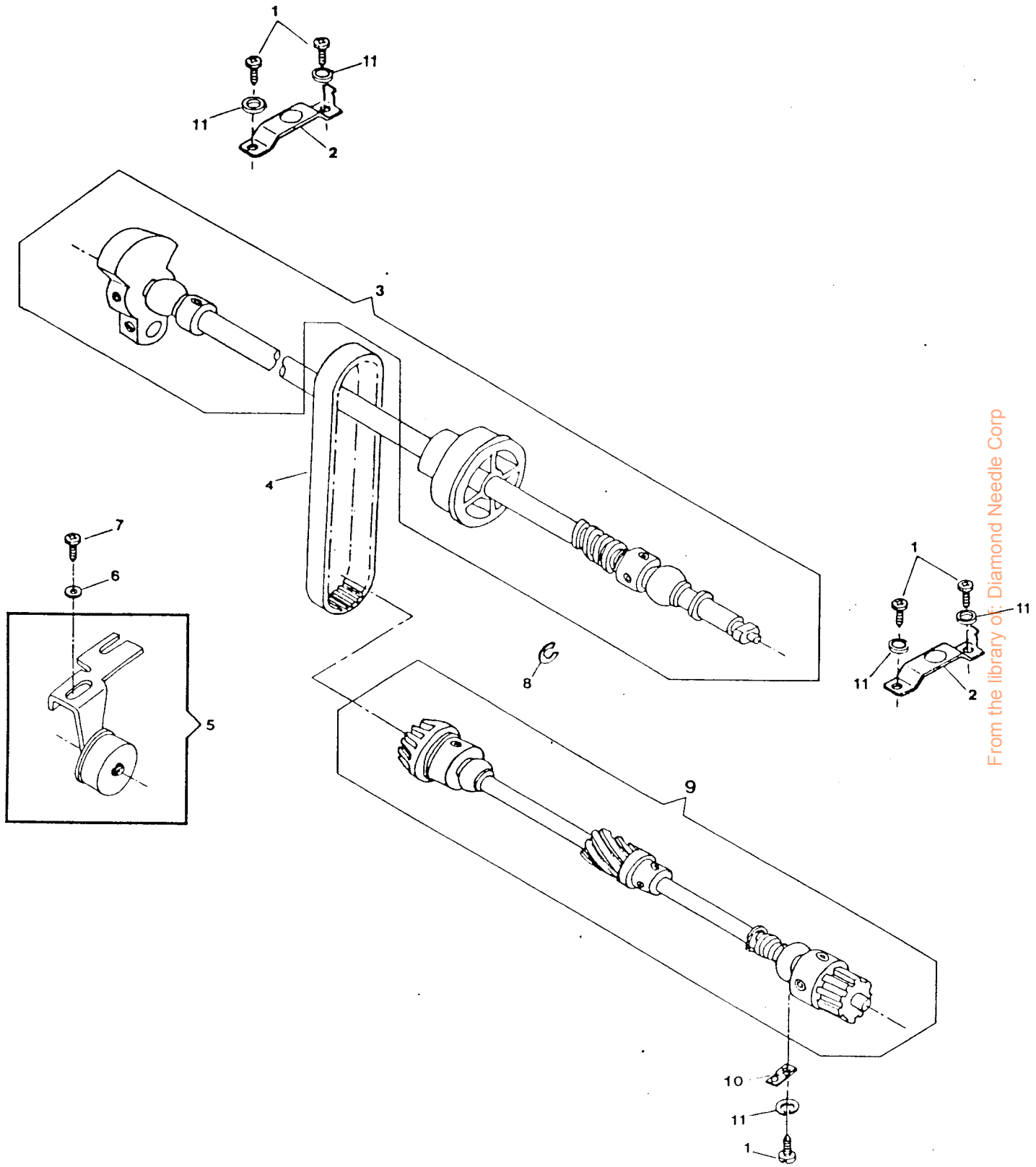
ARM TOP COVER



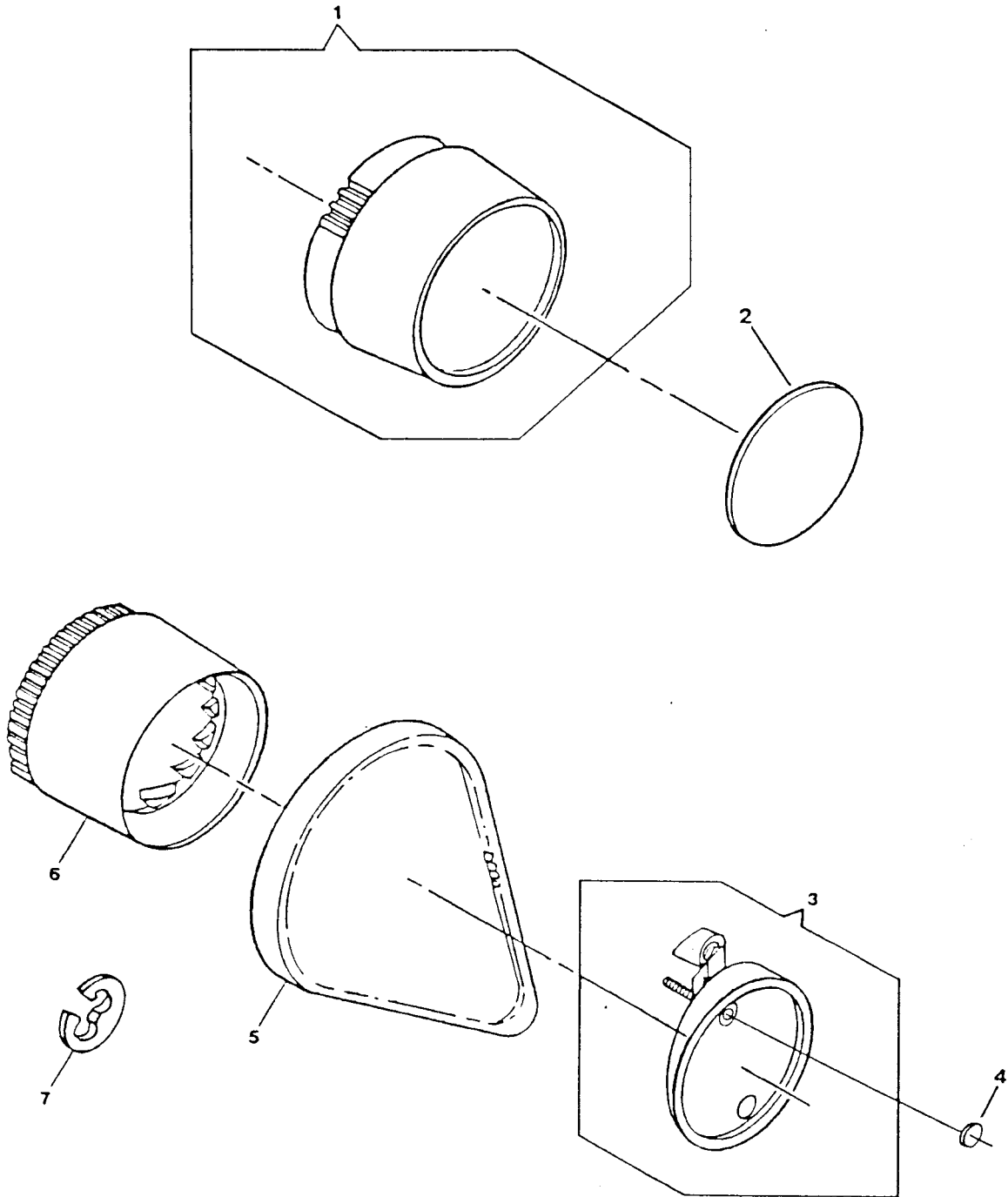
From the library of: Diamond Needle Corp

ARM SHAFT DRIVE SYSTEM
 MODEL:9022,9420,9423,9432

REF. PART NO.	PART NO.	DESCRIPTION	9	9	9	9
			0	4	4	4
			2	2	2	3
			2	0	3	2
1	113455-001	ARM SHAFT (HORIZONTAL) BUSHING (LEFT & RIGHT) CLAMP SCREW	X	X	X	X
2	312796	ARM SHAFT (HORIZONTAL) BUSHING (LEFT & RIGHT) CLAMP ASSEMBLY	X	X	X	X
3	313111-002	ARM SHAFT ASSEMBLY (APOLLO)	X	X	X	X
4	603975-011	BELT (ROTATING HOOK DRIVE) ALT:603975-012	X	X	X	X
5	313195	IDLER BRACKET ASSEMBLY	X	X	X	X
6	314041-451	ROTATING HOOK DRIVING BELT TENSION ADJUSTER SCREW WASHER	X	X	X	X
7	113455-002	ROTATING HOOK DRIVING BELT TENSION ADJUSTER SCREW	X	X	X	X
8	313153	HAND WHEEL RETAINING RING	X	X	X	X
9	314010	ROTATING HOOK DRIVE SHAFT SUB-ASSEMBLY	X	X	X	X
10	313816	ROTATING HOOK DRIVE SHAFT BUSHING (SELF-ALIGNING) CLAMP	X	X	X	X
11	314013-451	ROTATING HOOK DRIVE SHAFT BUSHING (SELF-ALIGNING) CLAMP SCREW AND ARM SHAFT BUSHING CLAMP SCREW LOCK WASHER	X	X	X	X



From the library of: Diamond Needle Corp

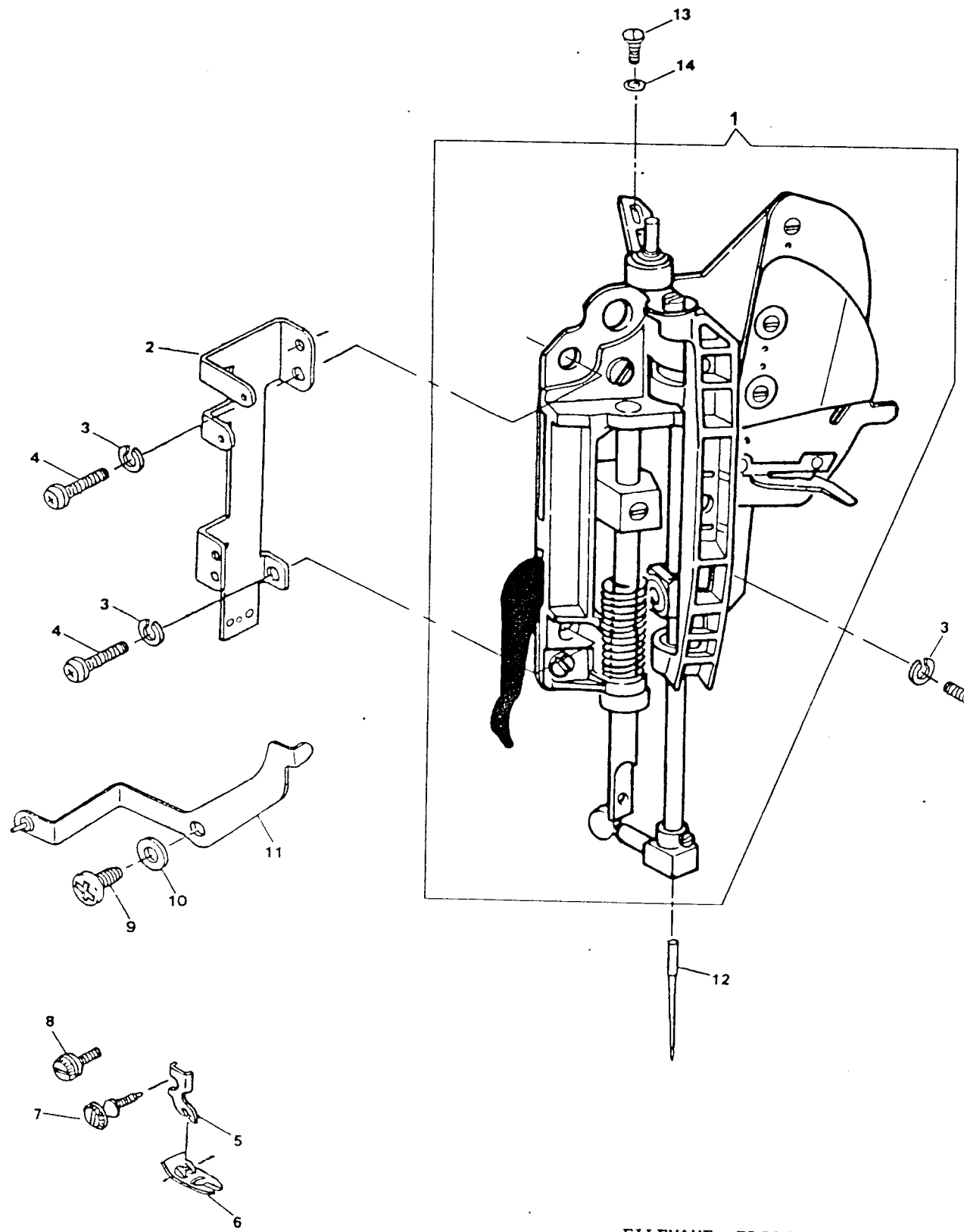


HAND WHEEL
MODEL:9022,9420,9423,9432

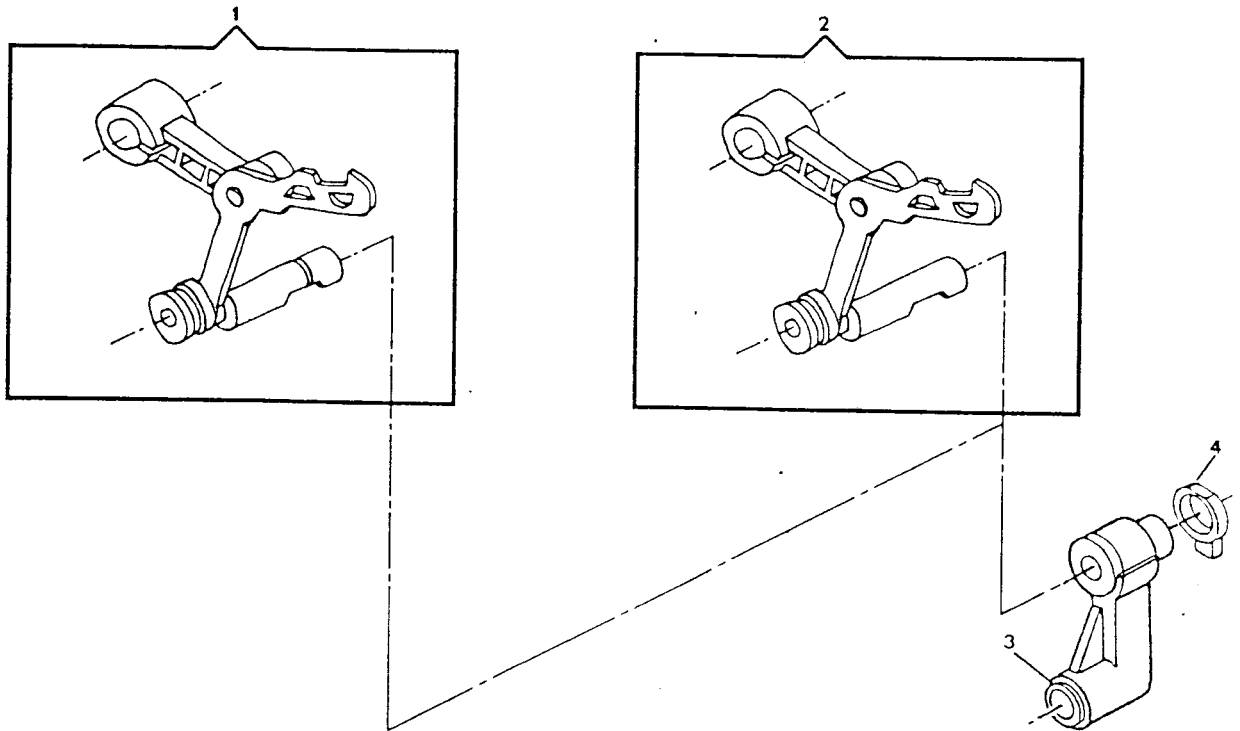
REF. NO.	PART NO.	DESCRIPTION	9	9	9	9
			0	4	4	4
			2	2	2	3
			2	0	3	2
3	313185-453	HAND WHEEL CLUTCH PLATE ASSEMBLY (#3889)	X	X	X	X
4	314733-920	HAND WHEEL ACCESS PLATE	X	X	X	X
5	312628-001	BELT (MOTOR DRIVE) ALT:979285-001	X	X	X	X
6	312625-453	HAND WHEEL (#3889)	X	X	X	X
7	313153	HAND WHEEL RETAINING RING	X	X	X	X

COAXIAL PRESSER BAR SYSTEM FOR NEW HEAD END
 MODEL:9022,9420,9423,9432

REF. PART NO.	PART NO.	DESCRIPTION	9	9	9	9
			0	4	4	4
			2	2	2	3
			2	0	3	2
1	314700	HEAD END MODULE (CENTAUR)				
2	314591	FACE PLATE MOUNTING BRACKET	X	X	X	X
3	313955-451	HEAD END MOUNTING PLATE LOCK WASHER	X	X	X	X
4	113455-012	HEAD END MOUNTING PLATE SCREW	X	X	X	X
5	163706-451	PRESSER FOOT SHANK (SNAP-ON)	X	X	X	X
6	313150	PRESSER FOOT PLATE (SNAP-ON) FOR ZIG-ZAG SEWING	X	X	X	X
7	113531-451	PRESSER FOOT THUMB SCREW	X	X	X	X
9	113455-001	NEEDLE THREAD TENSION RELEASE LEVER HINGE SCREW	X	X	X	X
10	314041-451	NEEDLE THREAD TENSION RELEASE LEVER RETAINING WASHER	X	X	X	X
11	317401	NEEDLE THREAD TENSION RELEASE LEVER ASSEMBLY	X	X	X	X
12	N2045	NEEDLE (SIZE NO.14, IN MACHINE)	X	X	X	X
13	113408-001	NEEDLE BAR DRIVING ARM BALL JOINT SCREW	X	X	X	X
14	931929-004	NEEDLE BAR DRIVING ARM BALL JOINT SCREW WASHER	X	X	X	X



From the Library of: Diamond Needle Corp



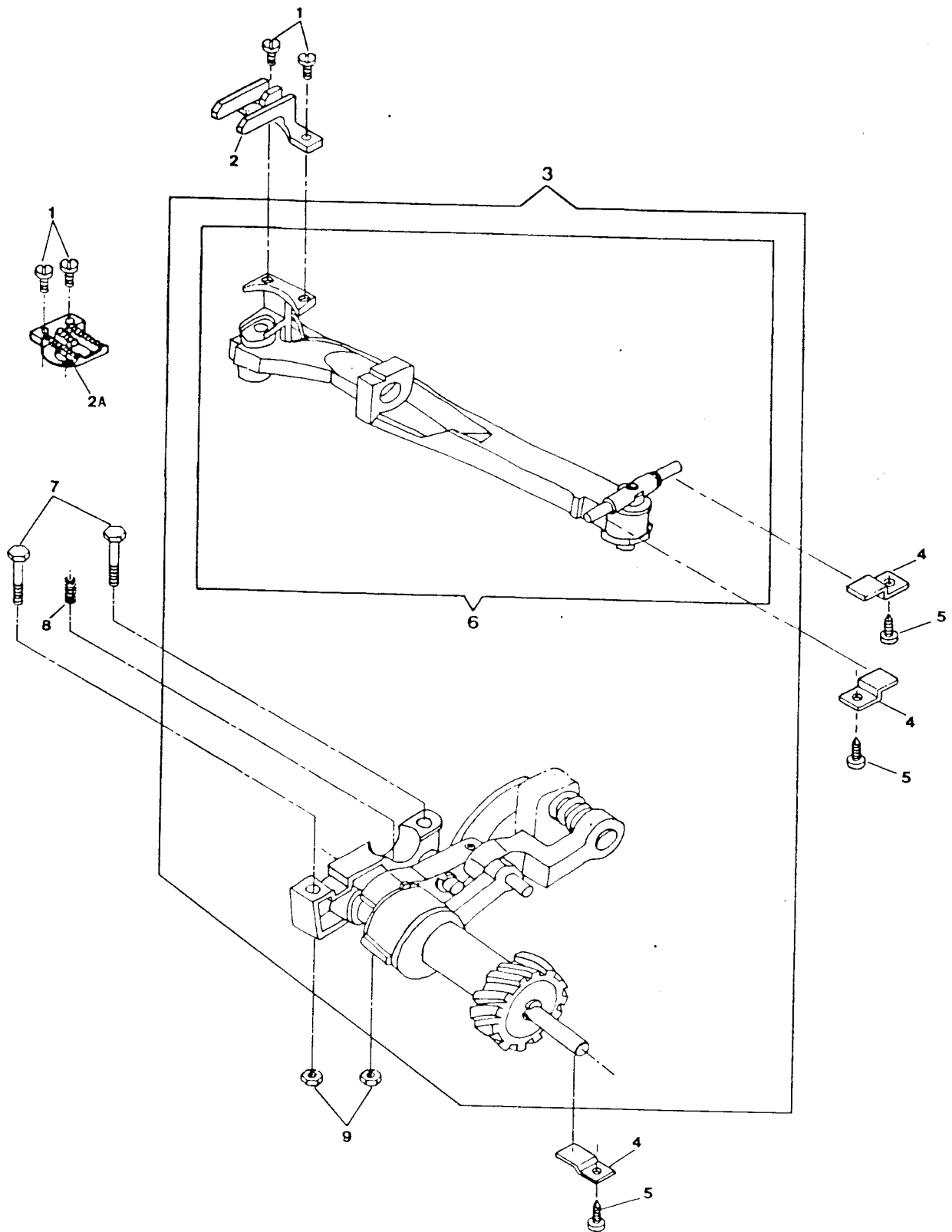
From the library of: Diamond Needle Corp

NEEDLE BAR & THREAD TAKE-UP FOR NEW HEAD END
 MODEL:9022,9420,9423,9432

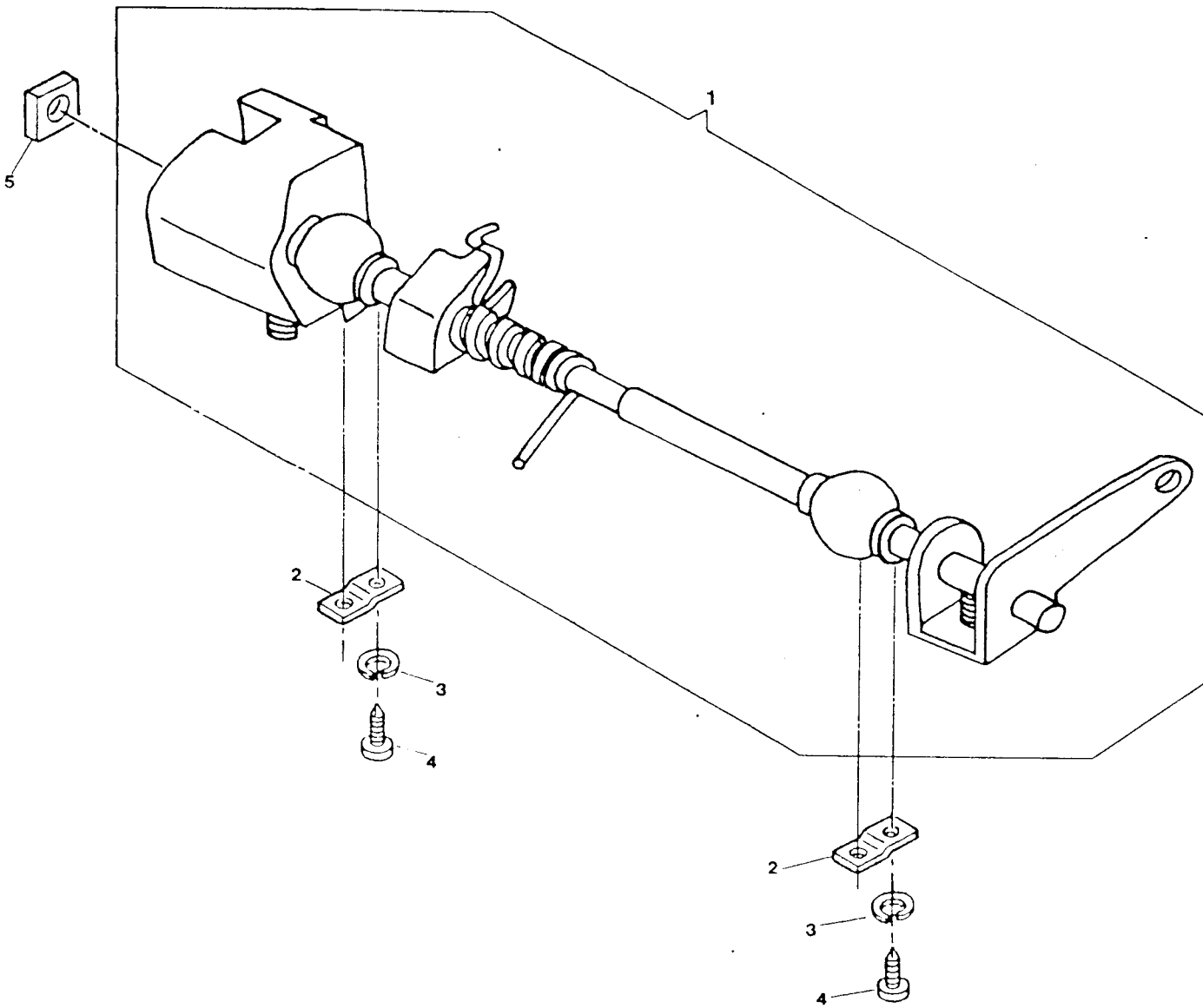
REF. NO.	PART NO.	DESCRIPTION	9	9	9	9
			0	4	4	4
			2	2	2	3
			2	0	3	2
1	314694	THREAD TAKE-UP COMPLETE (APOLLO)	X	X	X	X
3	313533	NEEDLE BAR CONNECTING LINK ASSEMBLY	X	X	X	X
4	314146	NEEDLE BAR CONNECTING LINK SPACER	X	X	X	X

ALPHA FEED
 MODEL:9022,9420,9423,9432

REF. NO.	PART NO.	DESCRIPTION	9	9	9	9
			0	4	4	4
			2	2	2	3
			2	0	3	2
1	141920-452	FEED DOG SCREW				
2A	313171	FEED DOG (APOLLO) (ALTERNATE PYRAMID)	X	X	X	X
2A	312679	FEED DOG (APOLLO) ALT:313171	X	X	X	X
3	314140-002	ALPHA FEED MODULE ALT:313011	X	X	X	X
4	312851	FEED BAR PIVOT HINGE STUD CLAMP	X	X	X	X
5	113455-003	CLAMP SCREW	X	X	X	X
6	314141	FEED BAR ASSEMBLY	X	X	X	X
7	354921-451	FEED & ROTATING HOOK DRIVE SHAFT BEARING BLOCK SCREW	X	X	X	X
8	314070	ROTATING HOOK DRIVE SHAFT BUSHING SPRING	X	X	X	X
9	514674-451	FEED & ROTATING HOOK DRIVE SHAFT BEARING BLOCK MOUNTING SCREW NUT	X	X	X	X



From the library of: Diamond Needle Corp



From the library of: Diamond Needle Corp

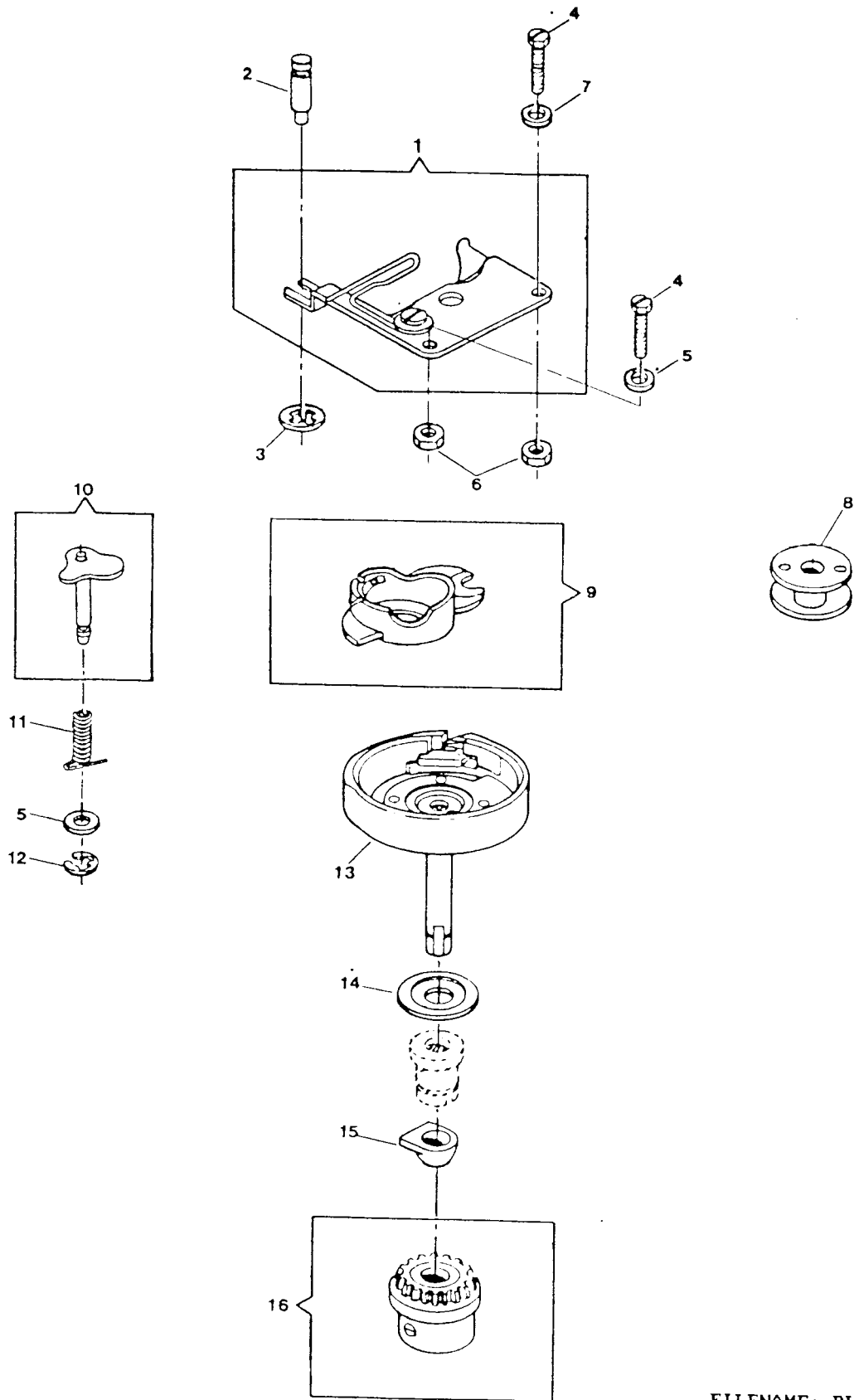
ALPHA FEED (CONT.)
 MODEL:9022,9420,9423,9432

REF. NO.	PART NO.	DESCRIPTION	9	9	9	9
			0	4	4	4
			2	2	2	3
			2	0	3	2
1	313133	FEED REGULATOR SHAFT ASSEMBLY	X	X	X	X
2	313816	FEED REGULATOR SHAFT BUSHING (SELF-ALIGNING) CLAMP	X	X	X	X
3	314013-451	FEED REGULATOR SHAFT BUSHING (SELF-ALIGNING) CLAMP SCREW LOCK WASHER	X	X	X	X
4	113455-001	FEED REGULATOR SHAFT BUSHING (SELF-ALIGNING) CLAMP SCREW	X	X	X	X
5	511030	FEED REGULATOR SLIDE BLOCK	X	X	X	X

HOOK SYSTEM (APOLLO)
MODEL:9022,9420,9423,9432

REF. NO.	PART NO.	DESCRIPTION	9	9	9	9
			0	4	4	4
			2	2	2	3
			2	0	3	2
1	313089	ROTATING HOOK BOBBIN CASE POSITION PLATE ASSEMBLY	X	X	X	X
1	314066	ROTATING HOOK BOBBIN CASE POSITION PLATE ASSEMBLY (ALT:313089)	X	X	X	X
2	312603	ROTATING HOOK BOBBIN CASE POSITION PLATE HOLD DOWN STUD	X	X	X	X
3	313161	ROTATING HOOK BOBBIN CASE POSITION PLATE HOLD DOWN STUD RETAINER	X	X	X	X
4	113439-451	ROTATING HOOK BOBBIN CASE POSITION PLATE SCREW	X	X	X	X
5	313190-451	ROTATING HOOK BOBBIN CASE POSITION PLATE SCREW WASHER (LEFT)	X	X	X	X
6	313945-451	ROTATING HOOK BOBBIN CASE POSITION PLATE SCREW NUT	X	X	X	X
7	446138	ROTATING HOOK BOBBIN CASE POSITION PLATE SCREW WASHER (RIGHT)	X	X	X	X
8	172336	ROTATING HOOK BOBBIN (PLASTIC)	X	X	X	X
9	421325	ROTATING HOOK BOBBIN CASE COMPLETE	X	X	X	X
10	312846	ROTATING HOOK BOBBIN CASE RETAINING PLATE SUB-ASSEMBLY	X	X	X	X
11	312607	ROTATING HOOK BOBBIN CASE RETAINING PLATE STUD SPRING	X	X	X	X
12	313783	ROTATING HOOK BOBBIN CASE RETAINING PLATE STUD RETAINING RING	X	X	X	X
13	314025	ROTATING HOOK COMPLETE (ALTERNATE TO 313034)	X	X	X	X
14	314049	ROTATING HOOK FLANGED BUSHING THRUST WASHER	X	X	X	X
15	312847	ROTATING HOOK FLANGED BUSHING WASHER	X	X	X	X
16	314012	ROTATING HOOK BEVEL GEAR COMPLETE	X	X	X	X
16	314101-900	ROTATING HOOL BEVEL GEAR COMPLETE (ALT:314012)	X	X	X	X

From the library of: Diamond Records Corp

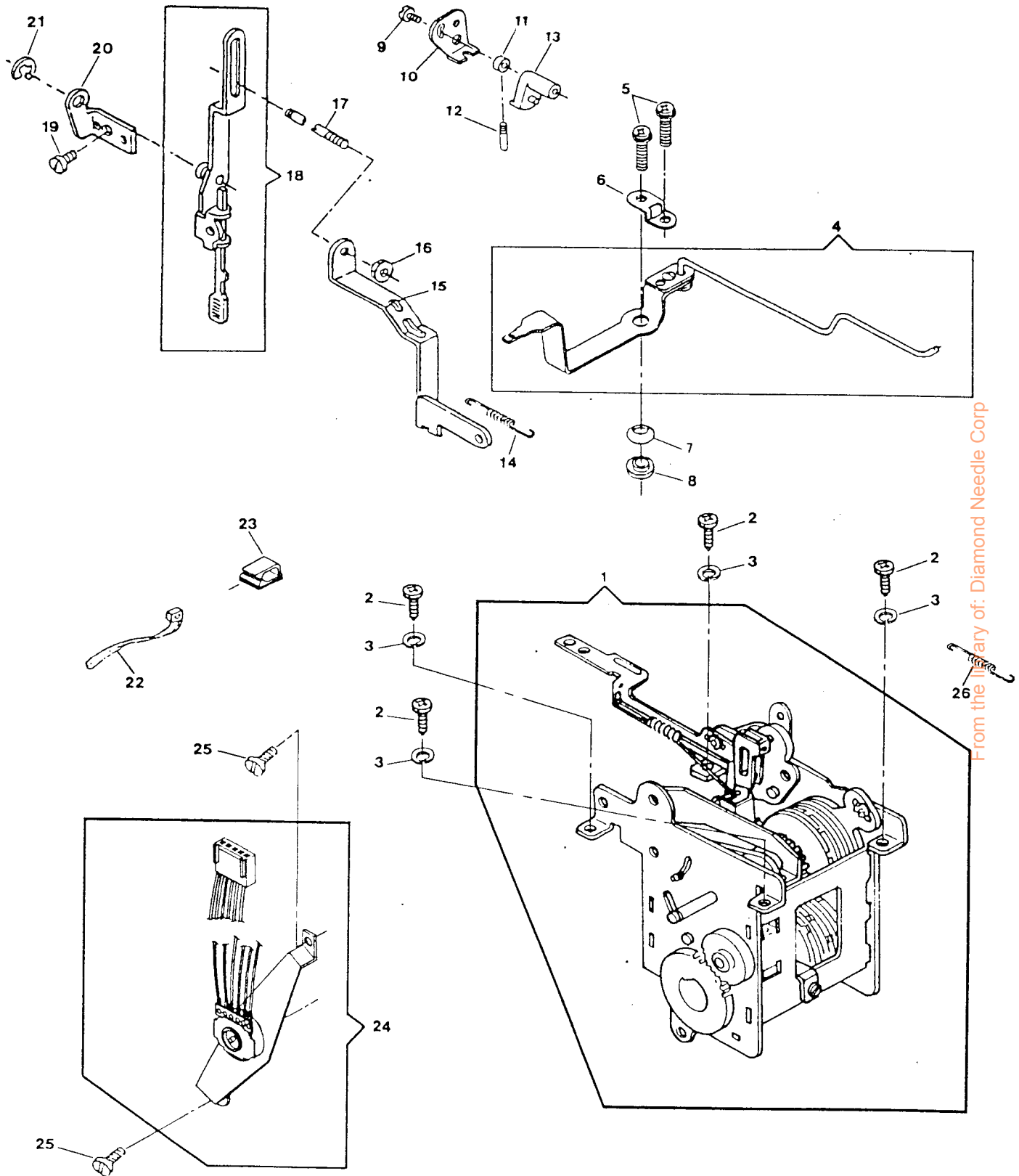


From the library of: Diamond Needle Corp

PATTERN, STITCH LENGTH CONTROL & CAM CONTROLLED FEED (CONT.)
 MODEL:9022,9420,9423,9432

REF. NO.	PART NO.	DESCRIPTION	9	9	9	9
			9	9	9	9
			0	4	4	4
			2	2	2	3
			2	0	3	2
1	314601-001	PATTERN SELECTOR MODULE				
1	314601-002	PATTERN SELECTOR MODULE			X	
1	317407-001	PATTERN SELECTOR MODULE				X
2	113455-001	DISC SELECTOR MECHANISM MOUNTING PLATE SCREW (LEFT AND RIGHT)	X			X
			X	X	X	X
3	314013-451	DISC SELECTOR MECHANISM MOUNTING PLATE SCREW (LEFT AND RIGHT) LOCK	X	X	X	X
4	314607	BIGHT AMPLITUDE CONTROL LEVER ASSEMBLY	X	X	X	X
5	113455-014	BIGHT AMPLITUDE CONTROL LEVER STOP ADJUSTMENT SCREW	X	X	X	X
6	314683	BIGHT AMPLITUDE CONTROL LEVER RETAINER	X	X	X	X
7	353457	BIGHT AMPLITUDE CONTROL LEVER FRICTION WASHER	X	X	X	X
8	314611	BIGHT AMPLITUDE CONTROL LEVER SHOULDER WASHER	X	X	X	X
26	314497	NEEDLE BAR DRIVING ARM SLIDE POSITIONING SPRING	X	X	X	X

PATTERN STITCH LENGTH CONTROL AND CAM CONTROLLED FEED

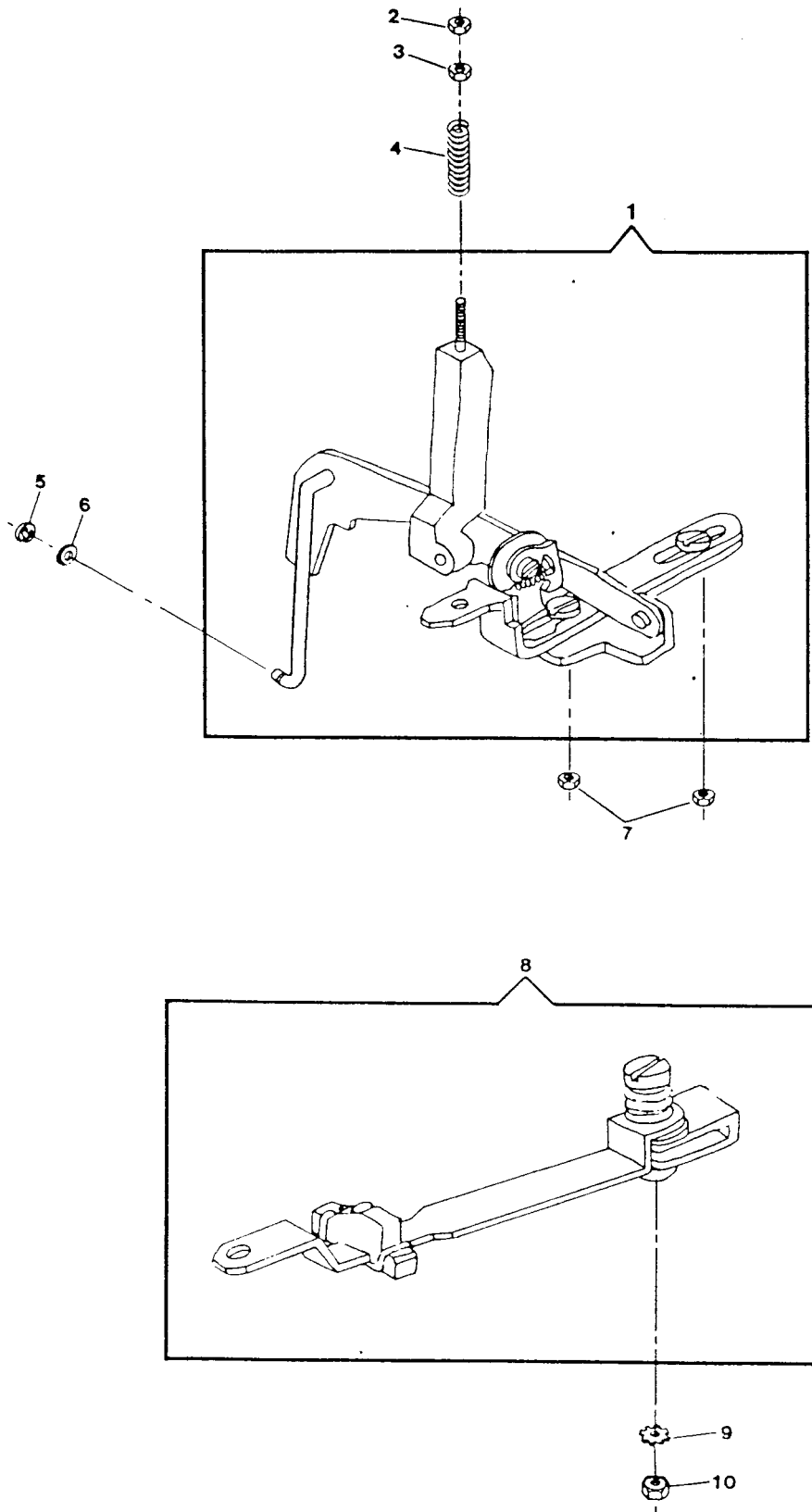


From the library of: Diamond Needle Corp

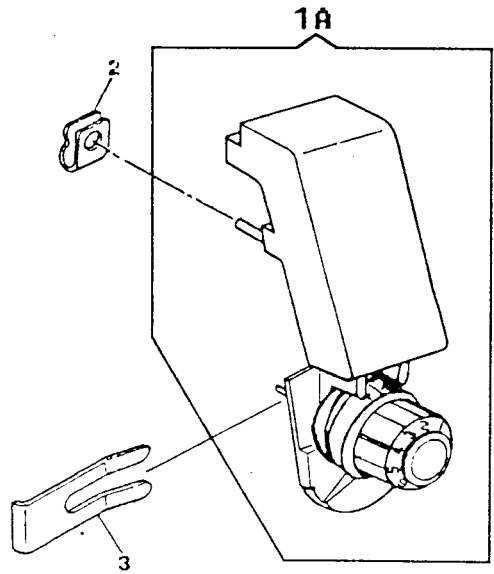
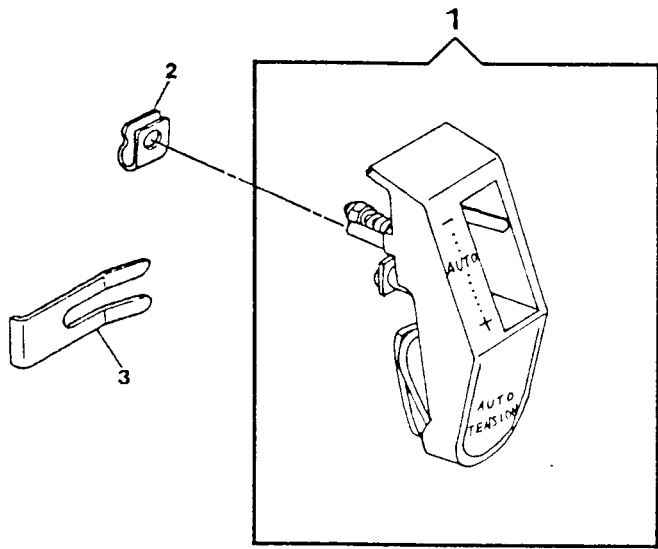
PATTERN, STITCH LENGTH CONTROL & CAM CONTROLLED FEED (CONT.)
 MODEL:9022,9420,9423,9432

REF. PART NO. NO.	DESCRIPTION	9 9 9 9 0 4 4 4 2 2 2 3 2 0 3 2
1 314300-001	FEED REVERSE MECHANISM	X X X X
2 514674-451	CAM CONTROLLED FEED CONNECTING ROD LOCKING NUT	X X X X
3 312645-451	CAM CONTROLLED FEED DISC FOLLOWER ACTUATOR CONNECTING ROD ADJUSTING	X X X X
4 313143	CAM CONTROLLED FEED DISC FOLLOWER ACTUATOR CONNECTING ROD SPRING	X X X X
5 312702	FEED LEVER CONNECTING LINK RETAINING RING	X X X X
6 313891	CAM CONTROLLED FEED CONNECTING ROD STABILIZING WASHER	X X X X
7 514674-451	REVERSE FEED CONTROL LEVER GUIDE SCREW NUT	X X X X
8 313569	STITCH LENGTH CONTROL LEVER ASSEMBLY	X X X X
9 313172-451	STITCH LENGTH CONTROL LEVER PIVOT LOCK WASHER	X X X X
10 313177-451	STITCH LENGTH CONTROL LEVER NUT	X X X X

PATTERN STITCH LENGTH CONTROL AND CAM CONTROLLED FEED (CONT.)



From the library of: Diamond Needle Corp

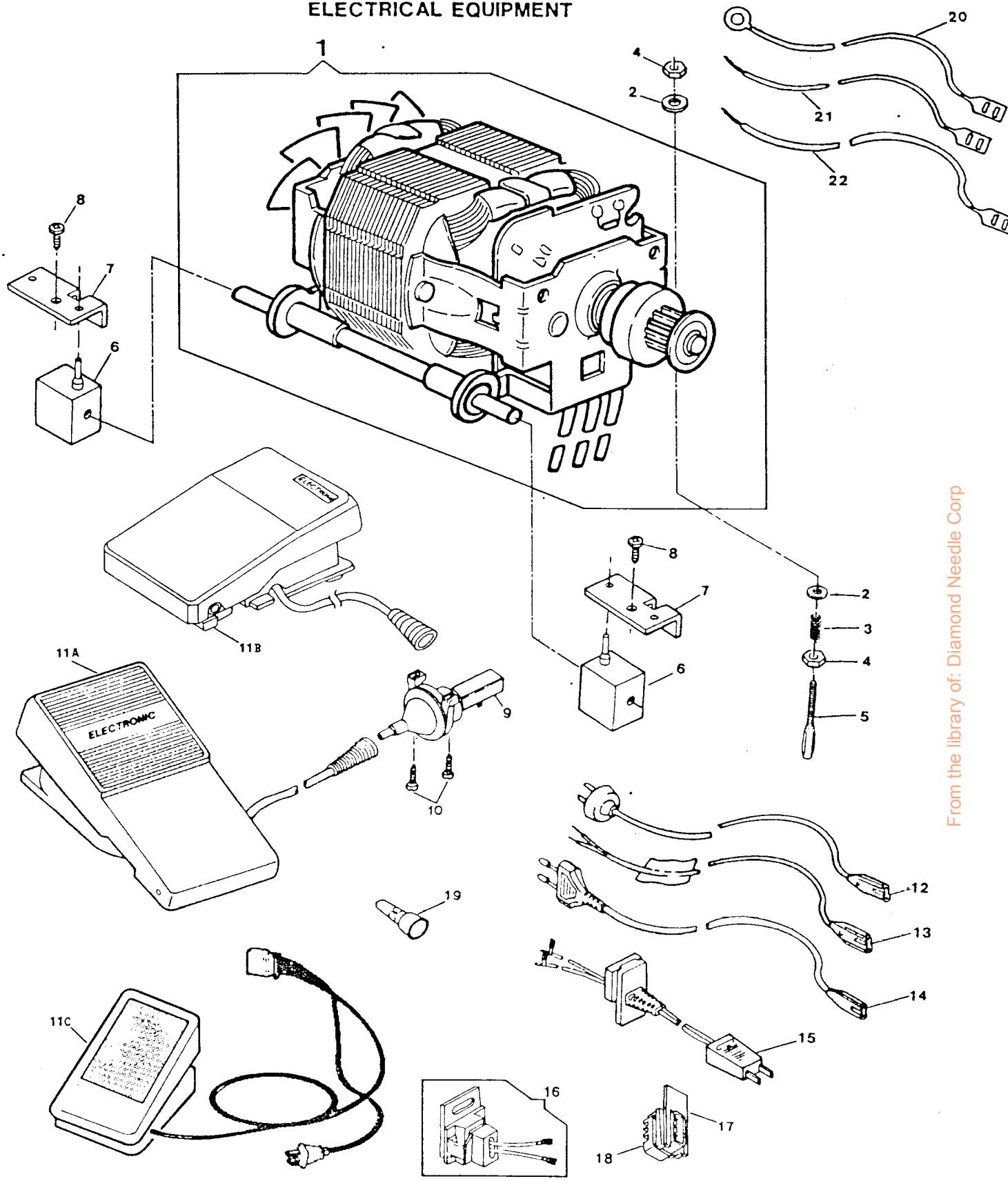


DEMAND RESPONSIVE NEEDLE TENSION SYSTEM
MODEL:9022,9420,9423,9432

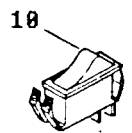
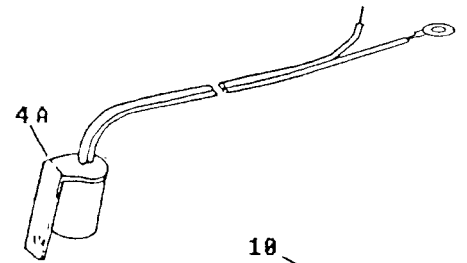
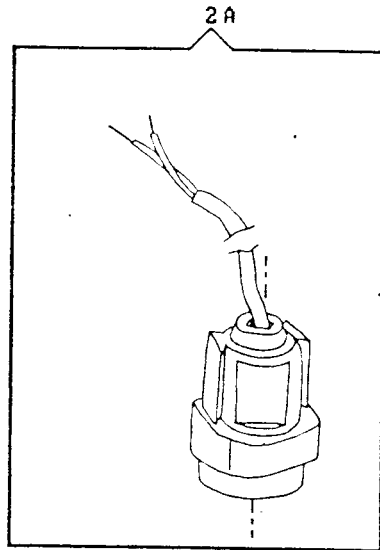
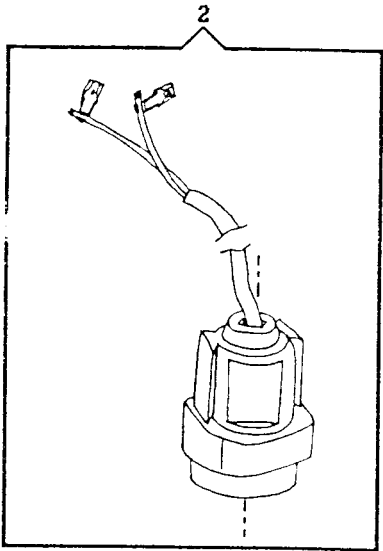
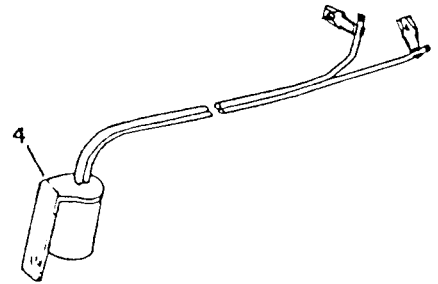
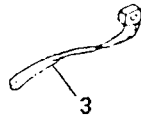
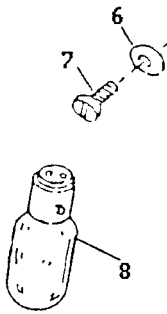
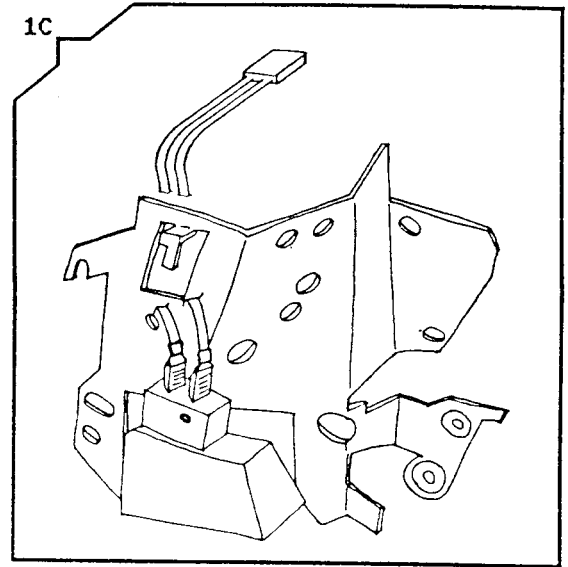
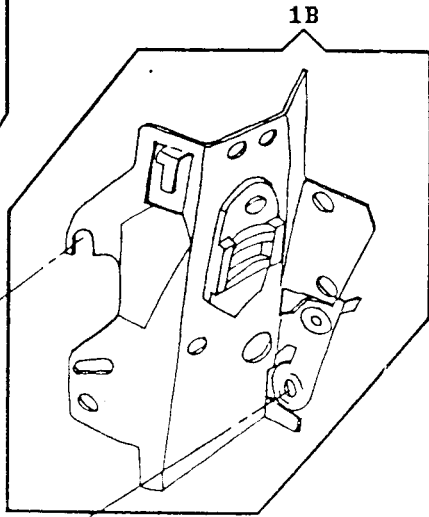
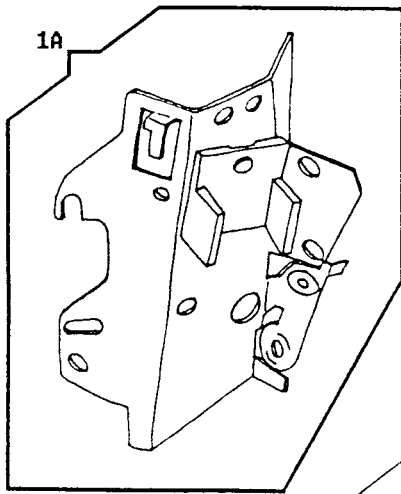
REF. PART NO. NO.	DESCRIPTION	9 9 9 9 0 4 4 4 2 2 2 3 2 0 3 2
1A 317383-900	THREAD TENSION MODULE	X X X X
2 313199	TENSION COVER MOUNTING RETAINER	X X X X
3 313047	TENSION COVER RETAINING CLIP	X X X X

ELECTRICAL EQUIPMENT
MODEL:9022,9420,9423,9432

REF. NO.	PART NO.	DESCRIPTION	9	9	9	9
			0	4	4	4
			2	2	2	3
			2	0	3	2
1	317352	MOTOR COMPLETE (120V CARBON PILE) (ITU MOTOR)	X	X	X	X
1	317427-001	MOTOR COMPLETE (220V CARBON PILE)	X	X	X	X
1	317436	MOTOR COMPLETE (240V CARBON PILE)	X	X	X	X
2	37969	MOTOR ADJUSTING STUD NUT WASHER	X	X	X	X
3	314058	MOTOR BELT TENSION SPRING	X	X	X	X
4	53646	MOTOR ADJUSTING STUD NUT	X	X	X	X
5	988653-001	MOTOR ADJUSTING STUD	X	X	X	X
6	979329-001	RESILIENT MOUNT	X	X	X	X
7	988651-001	CLIP	X	X	X	X
8	113470-004	MOTOR MOUNTING SCREW	X	X	X	X
11C	317281-001	CARBON PILE CONTROLLER ASSEMBLY (220V) (EUROPE)	X	X	X	X
11C	317281-002	CARBON PILE CONTROLLER ASSEMBLY (240V) (UK)	X	X	X	X
11C	317281-003	CARBON PILE CONTROLLER ASSEMBLY (240V) (AUSTRALIA)	X	X	X	X
11C	317353-001	CARBON PILE CONTROLLER ASSEMBLY (120V FOR UL)	X	X	X	X
11C	317353-002	CARBON PILE CONTROLLER ASSEMBLY (120V FOR CSA)	X	X	X	X
11C	317353-003	CARBON PILE CONTROLLER ASSEMBLY (U.S./CANADA)(SPT-2)	X	X	X	X
11C	319003-001	TRIAC CONTROLLER (120V, SPT-2)	X			
17	317374-901	HOLDER (120V)	X	X	X	X
17	317282-901	HOLDER (220V/240V)	X	X	X	X
18	317421	RECEPTACLE (120V)	X	X	X	X
18	317428-900	RECEPTACLE (220V/240V)	X	X	X	X
19	317355	WIRE CONNECTOR	X	X	X	X
20	317356-001	LEAD (A) W/TERMINAL ASSEMBLY (120V)	X	X	X	X
21	317356-002	LEAD (B) W/TERMINAL ASSEMBLY (120V)	X	X	X	X
22	317356-003	LEAD W/TERMINAL ASSEMBLY (220/240V)	X	X	X	X



From the library of: Diamond Needle Corp



From the library of: Diamond Needle Corp